



Left: 0841/001

Right: 0840/001

		A	B	C	D	E	F	G	H
0839/001		Zinc plated			Weight 210g/7.4oz				
METRIC (mm)		144	12	13	46	24	48	10	44
IMPERIAL (ins)		5.67	0.47	0.51	1.81	0.95	1.90	0.39	1.73
35 mm stroke - 4 x Ø6.7 thru fixing holes									
0839/002		304 Stainless steel			Weight 200g/7.1oz				
METRIC (mm)		145	12	12	46	24	49	10	42
IMPERIAL (ins)		5.71	0.47	0.47	1.81	0.95	1.93	0.39	1.65
40 mm stroke - 4 x Ø6.7 thru fixing holes									
0840/001		Zinc plated			Weight 360g/12.7oz				
0843/001		304 Stainless steel							
METRIC (mm)		165	17	16	41	28	46.3	12.5	30
IMPERIAL (ins)		6.5	0.67	0.63	1.61	1.10	1.82	0.50	1.18
27 mm stroke - 4 x Ø6 c'sunk fixing holes									
0840/002		Zinc plated			Weight 920g/2lb				
0842/001		Self colour			Weight 920g/2lb				
METRIC (mm)		265	28	23	94	29	145	16	80
IMPERIAL (ins)		10.4	1.10	0.91	3.70	1.14	5.71	0.63	3.15
60 mm stroke - 4 x Ø6 c'sunk fixing holes									
0841/001		Zinc plated			Weight 550g/1.2lb				
METRIC (mm)		218	22	18	84	21	82.8	12.5	70
IMPERIAL (ins)		8.58	0.87	0.71	3.31	0.83	3.26	0.50	2.76
46 mm stroke - 4 x Ø6.7 thru fixing holes									
0839/100		316 Stainless Steel			Weight 126g/4.4oz				
METRIC (mm)		124	11	14	30	21	47	10	40
IMPERIAL (ins)		4.88	0.43	0.55	1.18	0.83	1.85	0.39	1.58
29 mm stroke - 4 x Ø5 thru fixing holes									



		A	B	C	D	E	F	G	H
0836/001					Weight 280g/9.9oz				
METRIC (mm)		142	16	76	25	5	56	12.7	36
IMPERIAL (ins)		5.59	0.63	2.99	0.98	0.20	2.21	0.50	1.42
33 mm stroke									

Spring Bolts

		SPRING BOLT							
		Peg retaining. 27 mm stroke.							
		A	B	C	D	E	F	G	H
0837/001		Zinc plated				Weight 380g/13.4oz			
METRIC (mm)		160	20	17.5	40	28	50	12	30
IMPERIAL (ins)		6.30	0.79	0.70	1.58	1.10	1.97	0.47	1.18
0837/020		304 Stainless Steel				Weight 380g/13.4oz			
METRIC (mm)		165	17	16	41	28	46	12.5	30
IMPERIAL (ins)		6.50	0.67	0.63	1.61	1.10	1.81	0.49	1.18



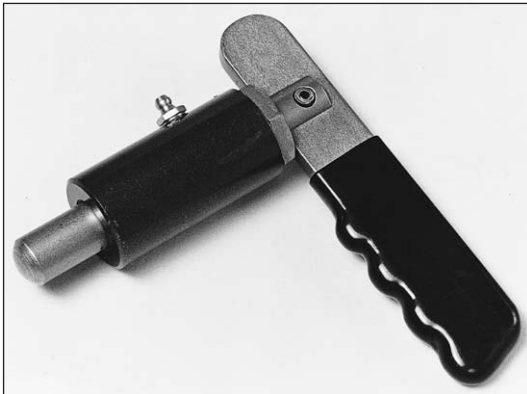
		SPRING BOLT COVER							
		Plasticised PVC, which is UV stable. 75° shore hardness. Compatible with spring bolts 0837/001 -zinc plated & 0837/020 - stainless steel.							
		A	B	C	D	E	F	G	H
0837/010		Black				Weight 20g/0.8oz			
0837/011		Red							
METRIC (mm)		79	44	37	13				
IMPERIAL (ins)		3.11	1.73	1.46	0.51				



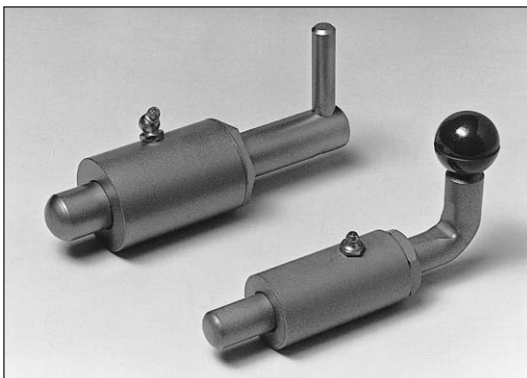
		SPRING BOLT							
		12mm stroke. Right hand shown.							
		A	B	C	D	E	F	G	H
0486/3860		Zinc plated (RH)				Weight 40g/1.4oz			
0486/3861		Zinc plated (LH)							
0486/3862		304 Stainless steel (RH)							
0486/3863		304 Stainless steel (LH)							
METRIC (mm)		82.0	20.0	5.00	23.0	8.00	41.0	21.0	2.00
IMPERIAL (ins)		3.23	0.79	0.20	0.91	0.32	1.61	0.83	0.08



Left: 0486/3863 (left hand) Right: 0486/3862 (right hand)



		A	B	C	D	E	F	G	H
0838/0021		Weight 960g/2.1lb							
METRIC (mm)		110	31	38	19	80	130	44	138
IMPERIAL (ins)		4.33	1.22	1.50	0.75	3.15	5.11	1.73	5.43



Top: 0838/004

Bottom: 0838/002

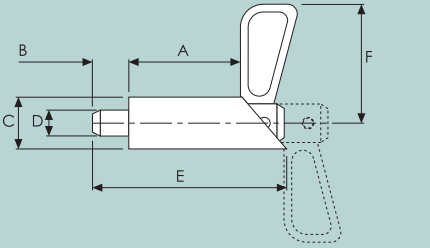
		A	B	C	D	E	F	G	H
0838/002		Weight 540g/1.2lb							
METRIC (mm)		116	30	38	19	73.5	62.5	32	
IMPERIAL (ins)		4.57	1.18	1.50	0.75	2.89	2.46	1.26	

27 mm stroke									
0838/004		Weight 1.4kg/3.1lb							
METRIC (mm)		137	30	50.8	25.4	73	90		
IMPERIAL (ins)		5.39	1.18	2.00	1.00	2.87	3.54		

30 mm stroke



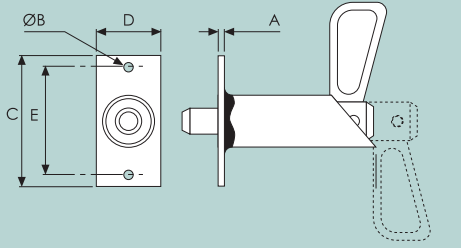
		A	B	C	D	E	F	G	H
0834/010		Weight 220g/7.8oz							
METRIC (mm)		57	19	30	13	63			
IMPERIAL (ins)		2.24	0.75	1.18	0.51	2.48			
0834/020		Weight 600g/1.3lb							
METRIC (mm)		85	25.4	35	14	79			
IMPERIAL (ins)		3.35	1.00	1.38	0.55	3.11			



SHOOT BOLT

Twist lever operation. Self-colour, steel body with a zinc plated lever.

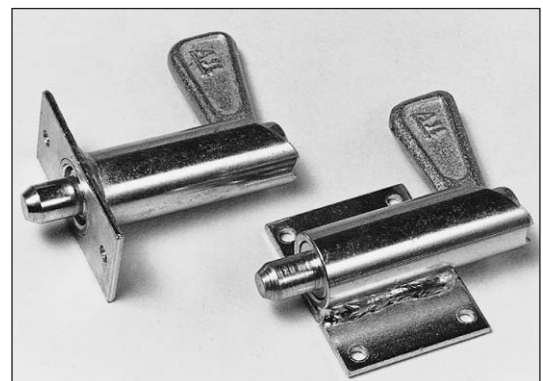
	A	B	C	D	E	F	G	H
0838/001	Weight 140g/5.3oz							
METRIC (mm)	41	14	20	10	70	45		
IMPERIAL (ins)	1.61	0.55	0.79	0.39	2.76	1.77		

SHOOT BOLT WITH FRONT PLATE

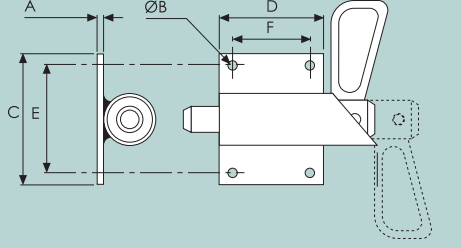
Twist lever operation. Zinc-plated body & handle. See 0838/001 for further dimensions.

	A	B	C	D	E	F	G	H
0838/0011	Weight 150g/5.3oz							
METRIC (mm)	2	4	50	25	40			
IMPERIAL (ins)	0.08	0.16	1.97	0.98	1.60			



Top: 0838/0011

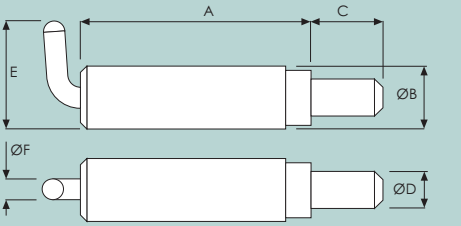
Bottom: 0838/0012



SHOOT BOLT WITH SIDE PLATE

Twist lever operation. Zinc-plated body & handle. See 0838/001 for further dimensions.

	A	B	C	D	E	F	G	H
0838/0012	Left hand (shown)				Weight 180g/6.4oz			
0838/0013	Right hand							
METRIC (mm)	2	4	50	40	40	30		
IMPERIAL (ins)	0.08	0.16	1.97	1.60	1.60	1.18		

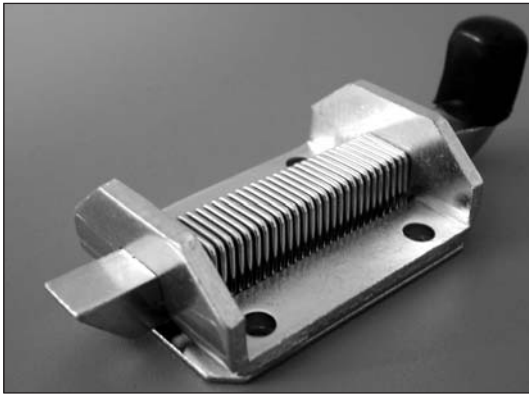


WELD ON SPRING BOLT

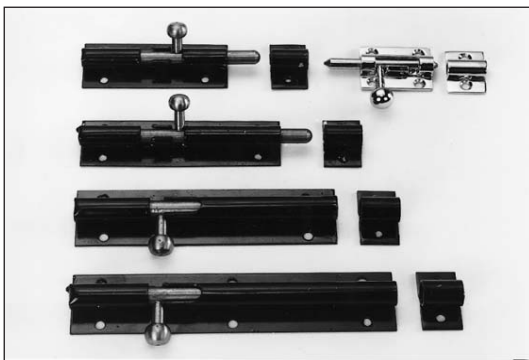
Self colour, mild steel casing with yellow passivated bolt. 15mm stroke.

	A	B	C	D	E	F	G	H
0832/1030	Weight 80g/2.8oz							
METRIC (mm)	53.0	15.0	15.0	9.00	26.0	5.00		
IMPERIAL (ins)	2.09	0.59	0.59	0.35	1.02	0.20		





		A	B	C	D	E	F	G	H
0833/001		Weight 362g/12.8oz							
METRIC (mm)		128	73	51	40	27	15	12	17
IMPERIAL (ins)		5.04	2.87	22.00	1.58	1.06	0.59	0.47	0.67



Left, top to bottom:
0853/001
0853/002
0853/003
0853/004

		A	B	C	D	E	F	G	H
0853/001		3", black enamelled Weight 80g/2.8oz							
0853/011		3", zinc plated							
METRIC (mm)		16	19	15	29	19	11.5	54	
IMPERIAL (ins)		0.63	0.75	0.60	1.14	0.75	0.45	2.13	
0853/002		4", black enamelled Weight 110g/3.9oz							
METRIC (mm)		16	19	15	29	19	11.5	80	
IMPERIAL (ins)		0.63	0.75	0.60	1.14	0.75	0.45	3.15	

		A	B	C	D	E	F	G	H
0853/003		5", black enamelled Weight 160g/5.7oz							
METRIC (mm)		15	19	16	32	21	13.5	102	
IMPERIAL (ins)		0.60	0.75	0.63	1.26	0.83	0.53	4.02	
0853/004		6", black enamelled Weight 190g/6.7oz							
METRIC (mm)		15	19	16	32	21	13.5	128	66
IMPERIAL (ins)		0.60	0.75	0.63	1.26	0.83	0.53	5.04	2.60