



For suitable fastener and hook combinations see table below.

FORGED TOGGLE FASTENERS		
9100/102C	Zinc plated, non-locking	
9100/202C	Zinc plated, locking	
	64 mm (2.5")	Weight 110g/3.9oz
9100/103C	Zinc plated, non-locking	
9100/203C	Zinc plated, locking	
	82 mm (3.2")	Weight 210g/7.4oz
9100/403C	Zinc plated, locking	
9100/403CSS	316 Stainless steel, locking	
	115 mm (4.5")	Weight 230g/8.1oz
9100/503C	Zinc plated, locking	
	82 mm (3.2")	Weight 200g/7.1oz

**102, 103 FASTENERS**      **ALL DIMENSIONS IN MM**      **202, 203 FASTENERS**

NO.	A	B	C	D	E	F	G	H	I	K	L	M	N	O	P	R	S	T	U	V
102	51	36	99-114	18	38	M6	12	36	5	64	15	40	25	10	25	20	8	3	/	/
103	71	41	119-140	23	48	M8	16	46	6	81	20	58	35	12	28	23	10	4	/	/
202	51	46	99-114	18	38	M6	12	36	5	64	15	42	25	8	27	25	17	3	10	20
203	61	56	119-140	23	48	M8	16	46	6	81	20	50	30	10	37	30	22	4	13	25

**403 FASTENER**      **503 FASTENER**      **403 PLATE**      **503 PLATE**

**Fasteners - Hook Combinations**

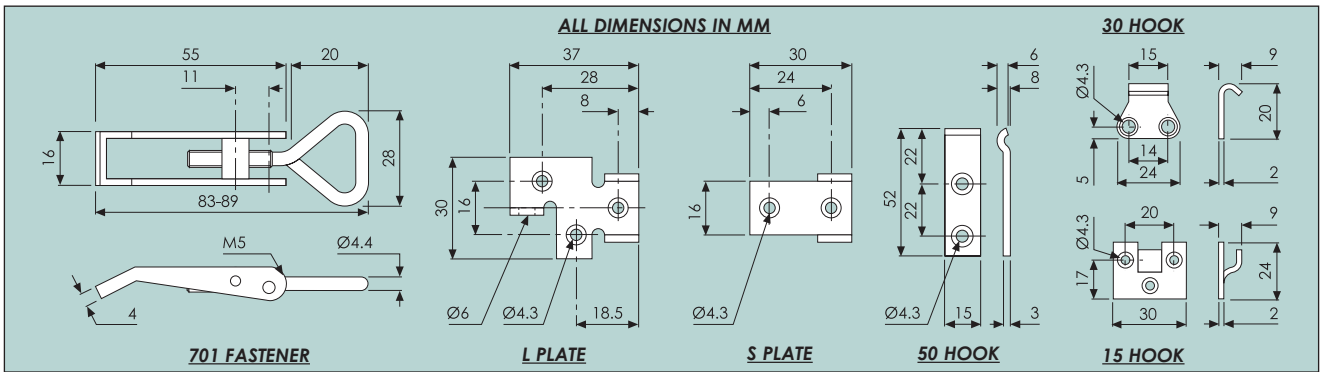
FASTENER	RECOMMENDED MAXIMUM LOAD	
	Kg	POUNDS
701	100	220
702	300	660
703	500	1100
102	300	660
103	500	1100
202	300	660
203	500	1100
403	600	1320
503	500	1100

FASTENER	FASTENER/HOOK COMBINATIONS		HOOK
	HOOK		
701		15, 30	50
702		31	10
703T		16	17
703R		22, 41	20
102		31	10
103		22, 41	20
202		31	10
203		22, 41	20
403		22, 41	20
503		22, 41	20

701 SERIES OVERCENTRE FASTENERS	
9100/701SC	Zinc plated, non-locking
9100/701SCSS	316 Stainless steel, non-locking
Weight 40g/1.3oz	
9100/701LC	Zinc plated, locking
9100/701LCSS	316 Stainless steel, locking
Weight 40g/1.3oz	
HOOKS   HOOKS   HOOKS   HOOKS   HOOKS   HOOKS   HOOKS	
9100/15C	Zinc plated
Weight 10g/0.4oz	
9100/30C	Zinc plated, triangular
9100/30CSS	316 Stainless steel, triangular
Weight 70g/2.6oz	
9100/50C	Zinc plated, 'S' hook
9100/50CSS	316 Stainless steel, 'S' hook
Weight 20g/0.6oz	



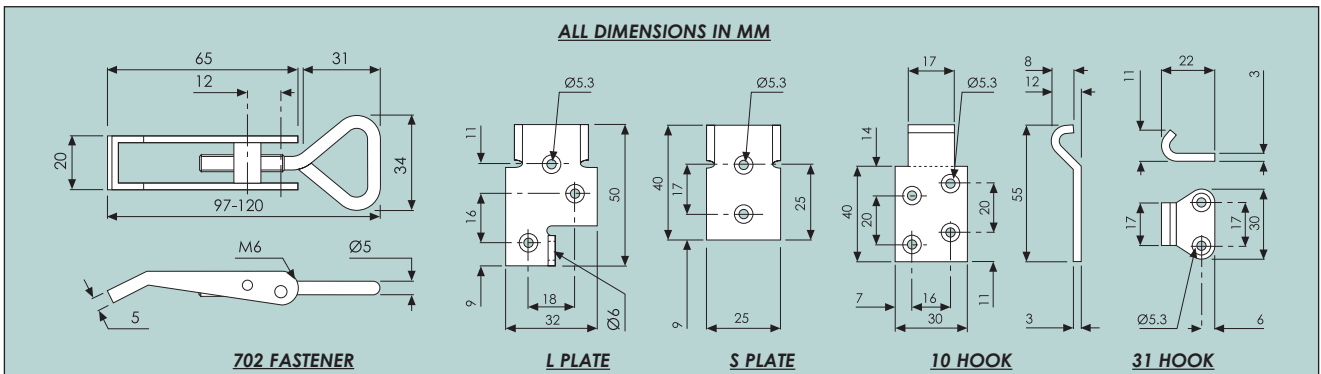
For fastener - hook combinations & load ratings refer table on page b31..



702 SERIES OVERCENTRE FASTENERS	
9100/702SC	Zinc plated, non-locking
9100/702SCSS	316 Stainless steel, non-locking
Weight 70g/2.6oz	
9100/702LC	Zinc plated, locking
9100/702LCSS	316 Stainless steel, locking
Weight 80g/2.8oz	
HOOKS   HOOKS   HOOKS   HOOKS   HOOKS   HOOKS   HOOKS	
9100/31C	Zinc plated, triangular
9100/31CSS	316 Stainless steel, triangular
Weight 10g/0.3oz	
9100/10C	Zinc plated, 'S' hook
9100/10CSS	316 Stainless steel, 'S' hook
Weight 30g/1.1oz	



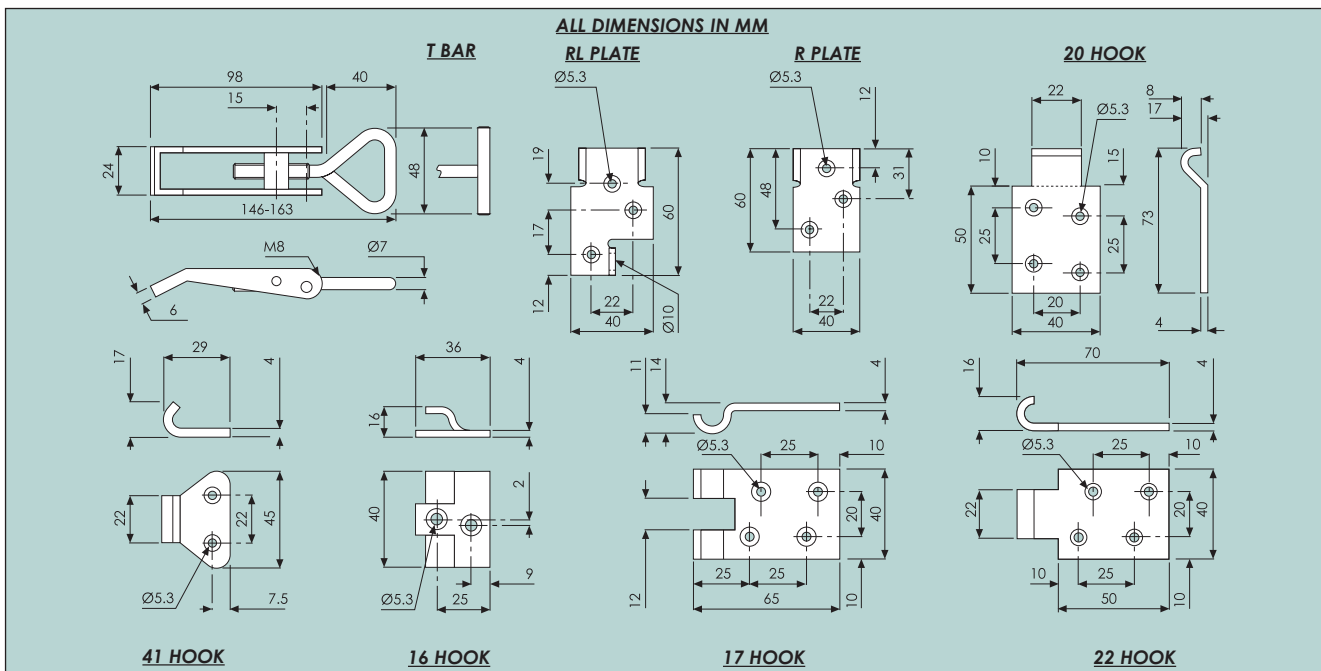
For fastener - hook combinations & load ratings refer table on page b31.





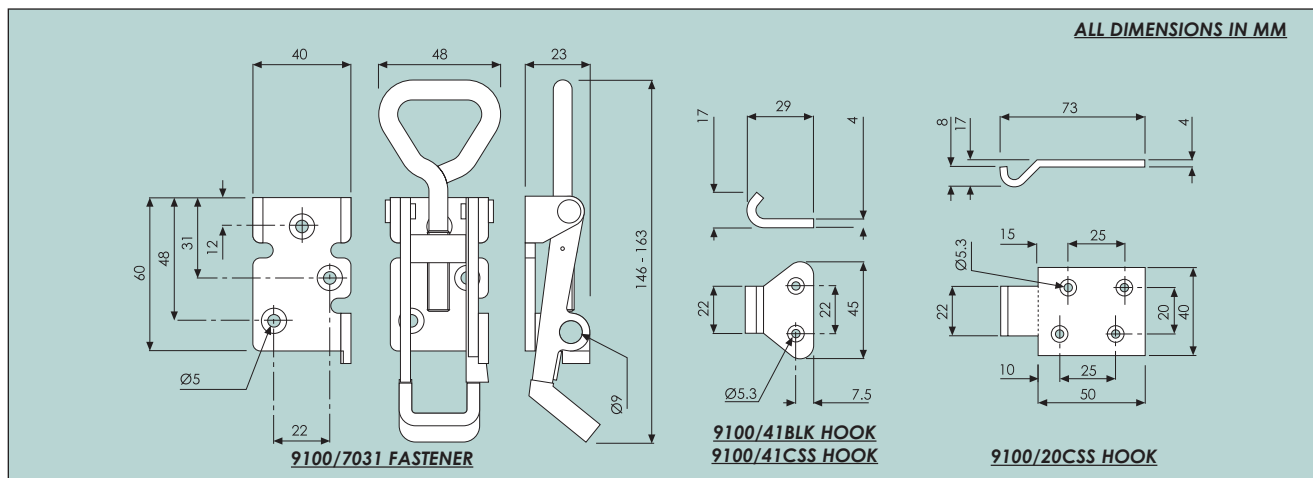
For fastener - hook combinations & load ratings refer table on page b31.

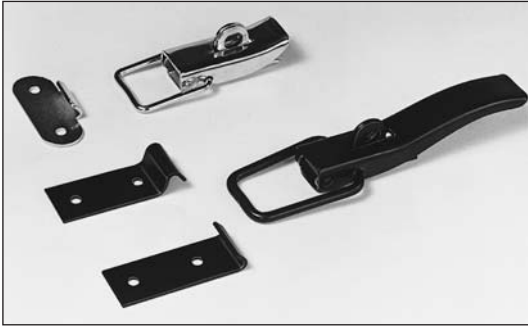
703 SERIES OVERCENTRE FASTENERS	
9100/703RC	Zinc plated, non-locking
9100/703RCSS	316 Stainless steel, non-locking
Weight 210g/7.2oz	
9100/703RLC	Zinc plated, locking
9100/703RLSS	316 Stainless steel, locking
Weight 200g/7oz	
9100/703TLC	Zinc plated, locking
Weight 200g/7oz	
HOOKS   HOOKS   HOOKS   HOOKS   HOOKS   HOOKS   HOOKS	
9100/16C	Zinc plated
Weight 40g/1.4oz	
9100/17C	Zinc plated
Weight 70g/2.5oz	
9100/22C	Zinc plated
Weight 80g/2.7oz	
9100/41C	Zinc plated, triangular
9100/41CSS	316 Stainless steel, triangular
Weight 30g/1oz	
9100/20C	Zinc plated, 'S' hook
9100/20CSS	316 Stainless steel, 'S' hook
Weight 80g/2.7oz	



**Ojop: Overcentre Fasteners**

<b>9100/7031</b>	<b>OVERCENTRE FASTENER</b>	<b>Weight 230g/8.1oz</b>
	Black chromate finish with a plastic coated finger pull. Stainless steel safety catch	
<b>9100/41BLK</b>	<b>HOOK</b>	<b>Weight 30g/1oz</b>
	Black chromate finish. Suitable for 180° (flat) applications	
<b>9100/41CSS</b>	<b>HOOK</b>	<b>Weight 30g/1oz</b>
	316 Stainless steel. Suitable for 180° (flat) applications	
<b>9100/20CSS</b>	<b>HOOK</b>	<b>Weight 80g/2.7oz</b>
	316 Stainless steel. Suitable for 90° applications	





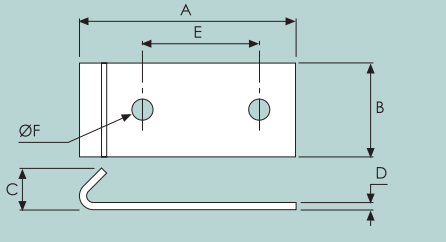
Left: top - 2676/004  
centre - 2665/004  
bottom - 2665/003

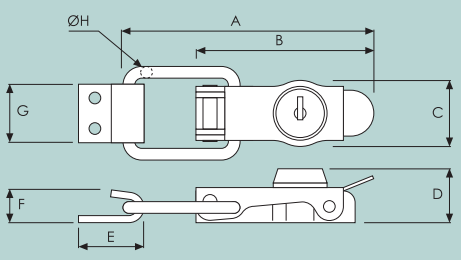
Right: top - 2676/003  
centre - 2665/001

		A	B	C	D	E	F	G	H
<b>OVER-CENTRE TOGGLE FASTENER</b>		Pressed steel with various finishes. 1338 = small toggles 2676 = short toggles 2665 = long toggles							
<b>1338/001</b>		Locking, self-colour				Weight 50g/1.8oz			
<b>1338/003</b>		Locking, chrome-plated							
METRIC (mm)		52	15	18	68	27	4	8	4
IMPERIAL (ins)		2.10	0.59	0.71	2.68	1.06	0.16	0.32	0.16
<b>2676/001</b>		Locking, self-colour				Weight 90/3.2oz			
<b>2676/003</b>		Locking, chrome-plated							
METRIC (mm)		62	22	25.4	94	35	4	11	5.5
IMPERIAL (ins)		2.44	0.87	1.00	3.7	1.38	0.16	0.43	0.22
<b>2665/001</b>		Locking, powder coated				Weight 140g/4.5oz			
<b>2665/002</b>		Non-locking, powder coated							
<b>2665/011</b>		Locking, self-colour							
<b>2665/012</b>		Non-locking, self-colour							
METRIC (mm)		129	27	25.4	170	35	5.5	11.5	5.5
IMPERIAL (ins)		5.10	1.06	1.00	6.70	1.38	0.22	0.45	0.22

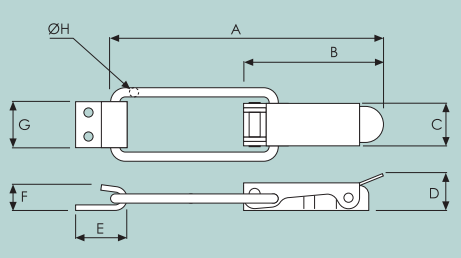
		A	B	C	D	E	F	G	H
<b>HOOK</b>		Pressed mild steel.							
<b>1338/002</b>		Self-colour				Weight 10g/0.4oz			
<b>1338/004</b>		Chrome-plated							
METRIC (mm)		44.5	13	11	2	31.5	3.7	15	19
IMPERIAL (ins)		1.75	0.51	0.43	0.08	1.24	0.15	0.59	0.75
<b>2676/002</b>		Self-colour				Weight 30g/1.1oz			
<b>2676/004</b>		Chrome-plated							
METRIC (mm)		59	22	12	2	36.5	5.5	26	23
IMPERIAL (ins)		2.32	0.87	0.47	0.08	1.44	0.22	1.02	0.91

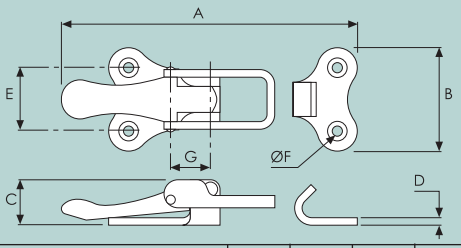
		A	B	C	D	E	F	G	H
<b>HOOK</b>		Pressed mild steel.							
<b>2665/004</b>		Black powder-coated				Weight 30g/1.1oz			
<b>2665/014</b>		Self-colour							
METRIC (mm)		66	26	14.5	2	35	5.5		
IMPERIAL (ins)		2.60	1.02	0.57	0.08	1.38	0.22		

					<b>HOOK</b>							
					Pressed mild steel.							
					A	B	C	D	E	F	G	H
<b>2665/003</b>		Black powder-coated			Weight 30g/1.1oz							
<b>2665/013</b>		Self-colour										
METRIC (mm)		66	26	12	2	35	5					
IMPERIAL (ins)		2.60	1.02	0.42	0.08	1.38	0.2					

					<b>OVERCENTRE TOGGLE FASTENER</b>							
					Zinc plated, mild steel. Locking with two keys supplied. Padlock facility on toggle (padlock not supplied).							
					A	B	C	D	E	F	G	H
<b>2663/0100</b>		Toggle fastener			Weight 150g/5.3oz							
<b>2663/0101</b>		Hook to suit			Weight 24g/0.9oz							
METRIC (mm)		106	76.0	28.0	26.0	28.0	14.0	25.0	5.0			
IMPERIAL (ins)		4.17	2.99	1.10	1.02	1.10	0.55	0.95	0.20			



					<b>OVERCENTRE TOGGLE FASTENER</b>							
					Zinc plated, mild steel. Padlock facility on toggle (padlock not supplied).							
					A	B	C	D	E	F	G	H
<b>2663/7040</b>		Toggle fastener			Weight 130g/4.6oz							
<b>2663/0101</b>		Hook to suit			Weight 24g/0.9oz							
METRIC (mm)		160	76.0	24.0	22.0	28.0	14.0	25.0	5.0			
IMPERIAL (ins)		6.30	2.99	0.95	0.87	1.10	0.55	0.95	0.20			

					<b>OVERCENTRE TOGGLE FASTENER</b>							
					Polished chrome plate finish. Complete with hook. Dimension A, fixed length.							
					A	B	C	D	E	F	G	H
<b>2695/003</b>					Weight 60g/2.1oz							
METRIC (mm)		90	34	15	2.5	22	4	10				
IMPERIAL (ins)		3.54	1.34	0.59	0.1	0.87	0.16	0.39				

