

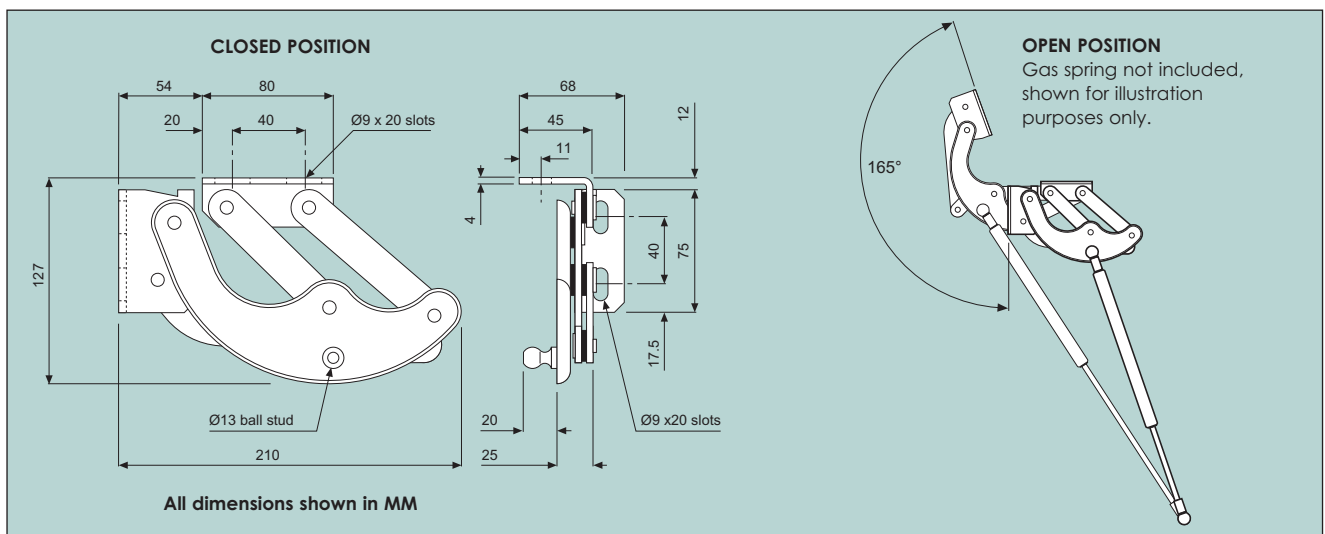
**0859/001 Concealed Locker Hinge - Left hand**  
**0859/002 Concealed Locker Hinge - Right hand**

Zinc plated, pressed, mild steel construction with PTFE washers at all hinge points.

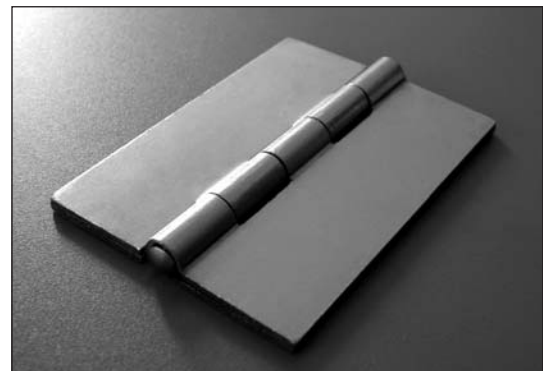
Fitted with a Ø13mm ball stud for gas spring attachment via 1252/54 elbow (not supplied - refer page b5).

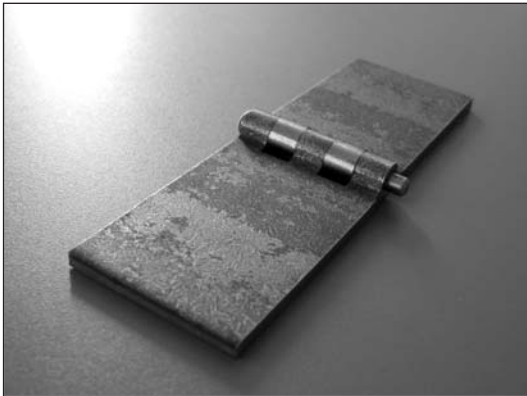
Specifications for gas springs are application specific, therefore, please contact us for further details.

LEFT HAND SHOWN



		<b>DOUBLE PRESSED BUTT HINGE</b>							
		Self colour, mild steel.							
		A	B	C	D	E	F	G	H
<b>0762/002</b>		<b>Weight 260g/9.2oz</b>							
METRIC	(mm)	36.0	101	4.00	10.0	6.00			
IMPERIAL	(ins)	1.42	3.98	0.16	0.40	0.24			





<b>COACH HINGES</b>									
Self colour steel.									
	A	B	C	D	E	F	G	H	
<b>0430/001</b>	<b>260° opening</b>				<b>Weight 330g/11.7oz</b>				
METRIC (mm)	80	50	5	12					
IMPERIAL (ins)	3.15	1.97	0.2	0.47					
<i>Solid drawn steel with stainless steel pin.</i>									
<b>0430/002</b>	<b>260° opening</b>				<b>Weight 590g/1.3lb</b>				
METRIC (mm)	120	50	6	15					
IMPERIAL (ins)	4.72	1.97	0.24	0.60					
<i>Solid drawn steel with stainless steel pin.</i>									
<b>0430/005</b>	<b>260° opening</b>				<b>Weight 251g/8.9oz</b>				
METRIC (mm)	60	50	5	12					
IMPERIAL (ins)	2.36	1.97	0.20	0.47					
<i>Solid drawn steel with stainless steel pin.</i>									
<b>0991/001</b>	<b>280° opening</b>				<b>Weight 240g/8.5oz</b>				
METRIC (mm)	70	51	3.5	14					
IMPERIAL (ins)	2.75	2.00	0.14	0.55					
<i>Pressed steel with rolled joint.</i>									



<b>COACH HINGES</b>									
Self colour steel with a nylon bush and rolled joint (no lubrication required).									
	A	B	C	D	E	F	G	H	
<b>0956/003</b>	<b>280° opening</b>				<b>Weight 240g/8.5oz</b>				
METRIC (mm)	80	50	3	16					
IMPERIAL (ins)	3.15	1.97	0.12	0.63					
<b>0440/002</b>	<b>280° opening</b>				<b>Weight 590g/1.3lb</b>				
METRIC (mm)	120	50	6	15					
IMPERIAL (ins)	4.72	1.97	0.24	0.60					
<b>0855/001</b>	<b>Left hand (shown)</b>				<b>Weight 650g/1.4lb</b>				
<b>0855/002</b>	<b>Right hand</b>								
METRIC (mm)	76	76	6	25.4					
IMPERIAL (ins)	3.00	3.00	0.24	1.00					
<i>270° opening.</i>									