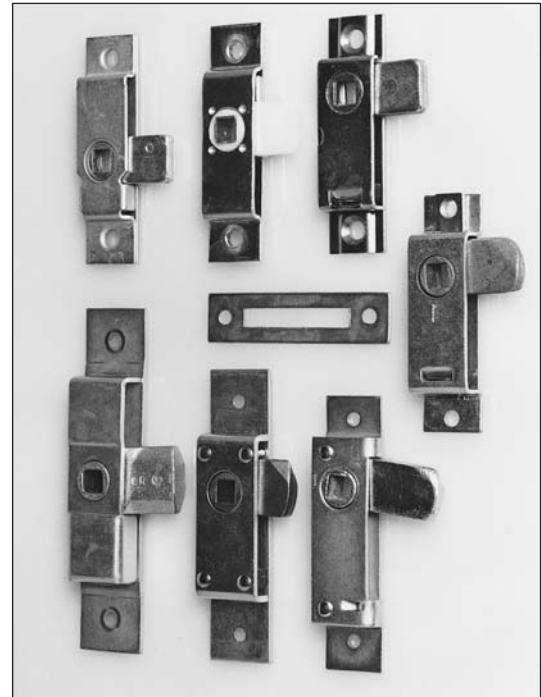


BUDGET LOCKS

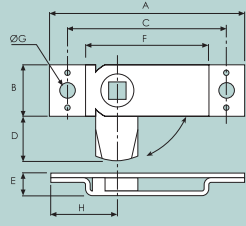
Left hand shown.
All operated by
'T'-key or 8 mm square
drive, except 0747
which takes 'T'-key
only.

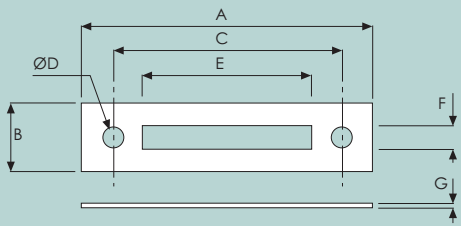
	A	B	C	D	E	F	G	H
0125/001	Universal				Weight 50g/1.8oz			
METRIC (mm)	85	23	67	16	8	55	6	29
IMPERIAL (ins)	3.35	0.91	2.64	0.63	0.32	2.17	0.24	1.14
<i>Zinc plated case & nylon tongue</i>								
0746/003	Left hand (shown)				Weight 70g/2.5oz			
0746/004	Right hand							
METRIC (mm)	81	23	70	19	12	55	5	23
IMPERIAL (ins)	3.2	0.9	2.76	0.75	0.47	2.17	0.2	0.91
<i>Zinc plated case & brass tongue</i>								
0747/001	Left hand (shown)				Weight 110g/3.9oz			
0747/002	Right hand							
METRIC (mm)	103	25	82.5	13.5	11	59	4.5	32
IMPERIAL (ins)	4.06	0.98	3.25	0.53	0.43	2.32	0.18	1.26
<i>Zinc plated case & brass tongue</i>								
0748/001	Universal				Weight 60g/2.1oz			
METRIC (mm)	85	22	66	17	9.5	56	6.5	38.0
IMPERIAL (ins)	3.35	0.87	2.6	0.67	0.37	2.2	0.26	1.50
<i>Zinc plated case & pressed steel tongue</i>								
0750/002	Universal				Weight 140g/5oz			
METRIC (mm)	126	27	101	20	13.5	75	5	50.5
IMPERIAL (ins)	4.96	1.06	3.98	0.79	0.53	2.95	0.2	1.99
<i>Zinc plated case & malleable iron tongue</i>								
0752/001	Universal				Weight 60g/2.1oz			
METRIC (mm)	76.5	26	60	16	8	50	7	30
IMPERIAL (ins)	3.00	1.02	2.36	0.63	0.32	1.97	0.28	1.18
<i>Zinc plated case & malleable iron tongue</i>								
0752/002	Universal				Weight 70g/2.5oz			
METRIC (mm)	76.5	26.0	60.0	16.0	8.0	50.0	7.0	30.0
IMPERIAL (ins)	3.00	1.02	2.36	0.63	0.32	1.97	0.28	1.18
<i>Stainless steel casing & tongue</i>								
0754/001	Left hand (shown)				Weight 60g/2.1oz			
0754/002	Right hand							
METRIC (mm)	83	22	66	17.5	9	54	6.5	19
IMPERIAL (ins)	3.28	0.87	2.6	0.7	0.35	2.13	0.26	0.75
<i>Zinc plated case and pressed steel tongue</i>								
0756/001	Left hand (shown)				Weight 70g/2.5oz			
0756/002	Right hand							
METRIC (mm)	95	22	76.5	23.5	11	65	4.5	23
IMPERIAL (ins)	3.74	0.87	3	0.93	0.43	2.56	0.18	0.91
<i>Zinc plated case & malleable iron tongue</i>								
0779/001	Zinc plated striker plate							



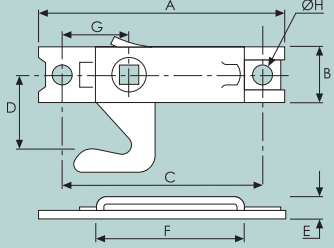
Top - 0748/001, 0125/001, 0754/001
Centre - 0779/001, 0746/003
Bottom - 0750/002, 0747/001, 0756/001

continued...

		A	B	C	D	E	F	G	H
		BUDGET LOCKS							
		All operated by 'T'-key or by 8 mm square drive.							
0744/601	Universal	Weight 170g/6oz							
METRIC (mm)		125	28.0	102	18.0	12.5	77.0	6.00	62.0
IMPERIAL (ins)		4.92	1.10	4.02	0.71	0.49	3.03	0.24	2.44
		Zinc plated case & die-cast tongue							
0744/602	Universal	Weight 110g/3.9oz							
METRIC (mm)		115	22.0	94.0	15.0	11.0	71.0	5.00	55.0
IMPERIAL (ins)		4.53	0.87	3.70	0.59	0.43	2.80	0.20	2.17
		Zinc plated case & die-cast tongue							
0744/604	Universal	Weight 60g/2.1oz							
METRIC (mm)		85.0	22.0	67.0	14.0	8.50	54.0	6.20	43.5
IMPERIAL (ins)		3.35	0.87	2.64	0.55	0.34	2.13	0.24	1.71
		Zinc plated case & die-cast tongue							
0745/001	Left Hand	Weight 70g/2.5oz							
0745/002	Right Hand	Weight 70g/2.5oz							
METRIC (mm)		78	20	65	10	10	52	5	30
IMPERIAL (ins)		3.07	0.79	2.56	0.39	0.39	2.05	0.20	1.18
		Zinc plated case & brass tongue							

		A	B	C	D	E	F	G	H
		STRIKER PLATE							
		Zinc plated mild steel. For use with budget locks.							
0779/001		Weight 9g/0.3oz							
METRIC (mm)		76.5	18.0	60.0	5.50	44.5	6.20	1.20	
IMPERIAL (ins)		3.01	0.71	2.36	0.22	1.75	0.24	0.05	



		A	B	C	D	E	F	G	H
		BUDGET LOCK							
		Hooked tongue. Zinc plated and yellow passivated casing. Pressed steel tongue.							
5589/200	Left hand (shown)	Weight 100g/3.5oz							
5589/201	Right hand								
METRIC (mm)		112	25.4	94	34	9	69	33	8.5
IMPERIAL (ins)		4.41	1.00	3.70	1.34	0.35	2.72	1.30	0.34