



		A	B	C	D	E	F	G	H
<b>0099/001</b>		<b>Weight 80g/2.8oz</b>							
METRIC (mm)		163	30	85	114	5	39	17	147
IMPERIAL (ins)		6.42	1.18	3.35	4.49	0.2	1.54	0.67	5.79



		A	B	C	D	E	F	G	H
<b>0846/001</b>		<b>Weight 60g/2.1oz</b>							
METRIC (mm)		147	30	89	114	3	4	132	16
IMPERIAL (ins)		5.79	1.18	3.5	4.49	0.12	0.16	5.2	0.63



		A	B	C	D	E	F	G	H
<b>0845/001</b>		<b>Weight 40g/1.4oz</b>							
METRIC (mm)		118	25	70	100	4.8	33	13	
IMPERIAL (ins)		4.65	1	2.76	3.94	0.19	1.30	0.51	
<b>4206/001</b>		<b>Weight 160g/5.7oz</b>							
METRIC (mm)		193	30	124	170	5	40	19	
IMPERIAL (ins)		7.6	1.18	4.88	6.7	0.2	1.58	0.75	



		A	B	C	D	E	F	G	H
<b>4207/001</b>		<b>Weight 140g/5oz</b>							
METRIC (mm)		207	36.0	133	162	4.50	46.0	18.0	194
IMPERIAL (ins)		8.15	1.42	5.24	6.38	0.18	1.81	0.71	7.64

		A B C D				E F G H			
						<b>PULL HANDLE</b>			
						Chrome plated.			
<b>0098/001</b>		<b>Brass base</b>				<b>Weight 260g/9.2oz</b>			
METRIC (mm)		245	43	182	209	6.5	51		
IMPERIAL (ins)		9.65	1.70	7.17	8.23	0.26	2		
<b>0097/001</b>		<b>Die-cast base</b>				<b>Weight 190g/6.7oz</b>			
METRIC (mm)		195	38	132	153	6	46		
IMPERIAL (ins)		7.68	1.5	5.20	6.02	0.24	1.81		
<b>0097/003</b>		<b>Die-cast base</b>				<b>Weight 350g/12.4oz</b>			
METRIC (mm)		285	40	228	250	7	46		
IMPERIAL (ins)		11.2	1.58	9	9.84	0.28	1.81		



Top - 0097/003  
Centre - 0098/001  
Bottom - 0097/001

		A B C D				E F G H			
						<b>CUSHIONED GRIP PULL HANDLE</b>			
						Polyester coated, die-cast shell with black rubber core.			
<b>0786/001</b>		<b>Black finish</b>				<b>Weight 160g/5.7oz</b>			
<b>0786/002</b>		<b>Silver finish</b>							
METRIC (mm)		164	23	123	150	5	45	43	32
IMPERIAL (ins)		6.5	0.91	4.84	5.91	0.2	1.77	1.7	1.26



		A B C D				E F G H			
						<b>PULL HANDLE</b>			
						Pressed mild steel.			
<b>0761/001</b>		<b>Self colour</b>				<b>Weight 50g/1.8oz</b>			
<b>0761/002</b>		<b>Black powder coated</b>							
<b>0768/001</b>		<b>Black PVC dip-coated</b>							
METRIC (mm)		157	27	112	138	4.5	32	20	
IMPERIAL (ins)		6.18	1.06	4.41	5.43	0.18	1.26	0.8	



		A B C D				E F G H			
						<b>PULL HANDLE</b>			
						Black jappaned pressed steel.			
<b>0076/001</b>						<b>Weight 60g/2.1oz</b>			
METRIC (mm)		180	34	120	150	5	45	40	20
IMPERIAL (ins)		7.09	1.34	4.72	5.91	0.20	1.77	1.58	0.8





		A				B				C				D				E				F				G				H			
		<b>0854/003</b>				<b>Weight 40g/1.4oz</b>																											
METRIC (mm)		134				41				95				117				8.5				33.5				26				13.5			
IMPERIAL (ins)		5.28				1.61				3.74				4.61				0.34				1.32				1.02				0.53			
		<b>9800/4136</b>				<b>M6 hexagon head req'd</b>				<b>Weight 40g/1.4oz</b>																							
		<b>9800/4137</b>				<b>M6 C'Sunk head req'd</b>																											
METRIC (mm)		140				40				96				120				6				32				26							
IMPERIAL (ins)		5.5				1.58				3.78				4.72				0.24				1.26				1.02							
		<b>9800/4150</b>				<b>M6 hexagon head req'd</b>				<b>Weight 70g/2.5oz</b>																							
METRIC (mm)		167				52				120				152				6				42				28							
IMPERIAL (ins)		6.58				2.10				4.72				5.98				0.24				1.65				1.10							



		A				B				C				D				E				F				G				H			
		<b>0790/001</b>				<b>Weight 50g/1.8oz</b>																											
METRIC (mm)		246				28				155				203				6.5				41				24							
IMPERIAL (ins)		9.70				1.10				6.1				8				0.26				1.61				0.95							

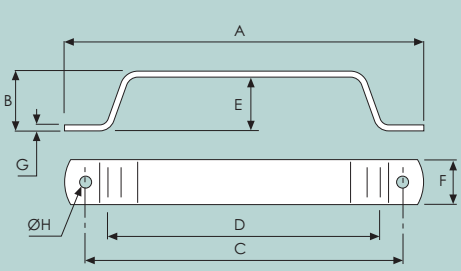


		A				B				C				D				E				F				G				H			
		<b>0847/001</b>				<b>Weight 40g/1.4oz</b>																											
METRIC (mm)		170				32.0				105				137				5.00				40.0				28.0							
IMPERIAL (ins)		6.70				1.26				4.13				5.40				0.20				1.58				1.10							



		A				B				C				D				E				F				G				H			
		<b>0847/003</b>				<b>Weight 80g/2.8oz</b>																											
METRIC (mm)		208				45.0				29.0				135				33.0				165				8.50							
IMPERIAL (ins)		8.19				1.77				1.14				5.32				1.30				6.50				0.34							

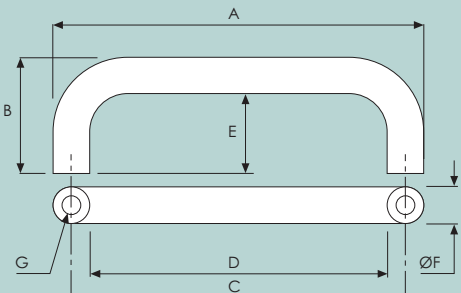
**HANDLES, LOCKS & LATCHES**



**PULL HANDLE**

Pressed, 304 stainless steel.

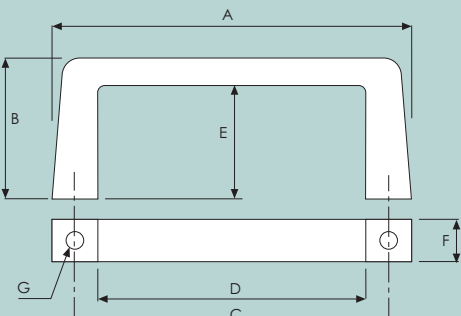
	A	B	C	D	E	F	G	H
<b>0486/3797</b>	<b>Weight 30g/1.1oz</b>							
METRIC (mm)	120	18.0	107	88.0	18.0	15.0	2.00	4.30
IMPERIAL (ins)	4.72	0.71	4.21	3.47	0.71	0.59	0.08	0.17

**PULL HANDLE**

Polished aluminium.  
Fixing via 2 x M5 bolts  
(not supplied).

	A	B	C	D	E	F	G	H
<b>0486/3425</b>	<b>Weight 30g/1.1oz</b>							
METRIC (mm)	102	32.0	92.0	82.0	22.0	10.0	M5	
IMPERIAL (ins)	4.02	1.26	3.62	3.23	0.87	0.39		

**PULL HANDLE**

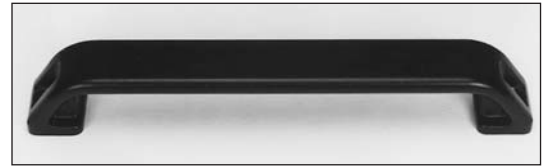
Black, anodised aluminium.  
Fixing via 2 x M5 bolts  
(not supplied).

	A	B	C	D	E	F	G	H
<b>0486/3644</b>	<b>Weight 50g/1.8oz</b>							
METRIC (mm)	102	40.0	88.0	76.0	32.0	12.0	M5	
IMPERIAL (ins)	4.02	1.58	3.47	2.99	1.26	0.47		





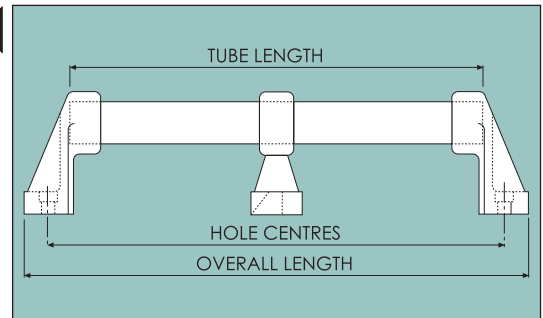
					<b>PULL HANDLE</b> Black powder coat on die-cast case.			
	A	B	C	D	E	F	G	H
<b>0856/002</b>					<b>Weight 40g/1.4oz</b>			
METRIC (mm)	254	25.4	204	238	7.0	34.5	32	
IMPERIAL (ins)	10.0	1.00	8.03	9.37	0.28	1.36	1.26	



PART NUMBER (TUBE ONLY)	TUBE LENGTH	OVERALL LENGTH	HOLE CENTRES	WEIGHT
9800/4139	266mm (10.5")	330mm (13")	300mm (11.8")	190g (6.7oz)
9800/4140	366mm (14.4")	430mm (17")	400mm (15.8")	260g (9.2oz)
9800/4141	466mm (18.4")	530mm (20.9")	500mm (19.7")	330g (11.7oz)
9800/4142	566mm (22.3")	630mm (24.8")	600mm (23.6")	400g (14.1oz)
9800/4144	666mm (26.2")	730mm (28.7")	700mm (27.6")	470g (1.03lb)
9800/4145	766mm (30.2")	830mm (32.7")	800mm (31.5")	540g (1.2lb)



					<b>END STAY</b> Black polyamide.			
	A	B	C	D	E	F	G	H
<b>9800/4138</b>					<b>Weight 70g/2.5oz</b>			
METRIC (mm)	80	30	60	46	8	54		
IMPERIAL (ins)	3.15	1.18	2.36	1.81	0.32	2.13		



N.B. Tubes and stays are supplied separately.

					<b>CENTRE STAY</b> Black polyamide.			
	A	B	C	D	E	F	G	H
<b>9800/4151</b>					<b>Weight 50g/1.8oz</b>			
METRIC (mm)	80	30	60	46	8	34		
IMPERIAL (ins)	3.15	1.18	2.36	1.81	0.32	1.34		