

Check Straps

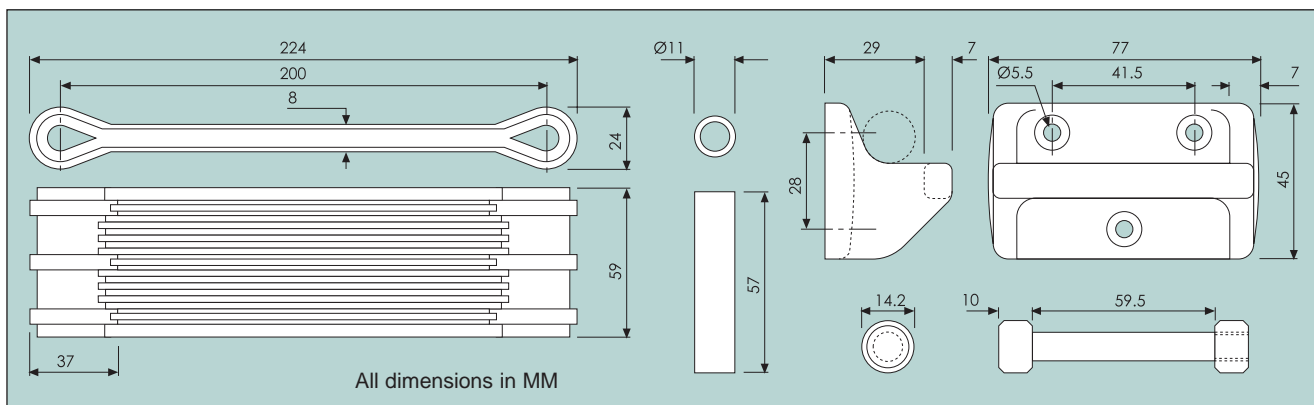
		A	B	C	D	E	F	G	H
0783/270		Weight 630g/1.4lb							
METRIC	(mm)	320	33.0	76.0	38.0	78.0	43.0	72.0	34.0
IMPERIAL	(ins)	12.6	1.30	2.99	1.50	3.07	1.69	2.84	1.34

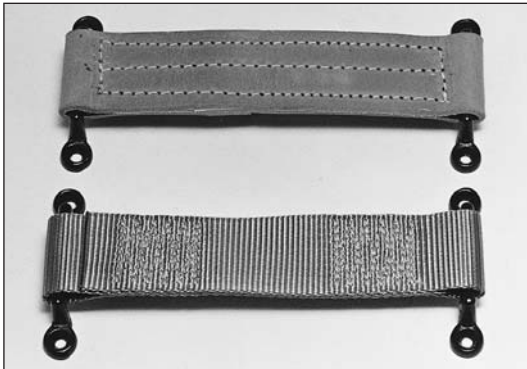
CHECK STRAP

Reinforced rubber strap with zinc plated steel brackets & chrome pins.



REINFORCED RUBBER CHECK STRAP		
0783/001	Complete assembly	Weight 400g/14.1oz
Consists of:		
0783/002	Strap	Weight 150g/5.3oz
Black rubber (1 off)		
0783/003	Bracket	Weight 70g/2.5oz
Aluminium casting (2 off)		
0783/006	Sleeve (to fit 009)	Weight 5g/0.2oz
Laminated tufnol (2 off)		
0783/009	Collar & pin	Weight 50g/1.8oz
Chrome plated steel		





Top: 4279/001

Bottom: 4232/001

CHECK STRAP									
Complete assemblies with malleable iron, black japanned staples. Other sizes available on request.									
	A	B	C	D	E	F	G	H	
4279/001	Leather strap				Weight 120g/4.2oz				
METRIC (mm)	203	44	190	74	5.5	90	22		
IMPERIAL (ins)	8.00	1.70	7.50	3.00	0.22	3.54	0.87		
4232/001	Stitched webbing				Weight 100g/3.5oz				
METRIC (mm)	208	44	210	74	5.5	90	22		
IMPERIAL (ins)	8.20	1.70	8.3	3.00	0.22	3.54	0.87		



CHECK STRAP BRACKET AND PIN		
2180/001	To suit 50mm (2") strap	Weight 110g/3.9oz
Chrome plate on brass bracket with chrome plate on steel pin. Can be made up to any length of leather strap.		



DETACHABLE CHECK STRAPS		
4232/6168	Stitched webbing	Weight 100g/3.5oz
135mm (5.3") x 44mm (1.7") c/w snap hook		
2173/001	Staple	Weight 30g/1.1oz
Black japanned, malleable iron casting.		



BALATA BELTING (sold per metre)		
0782/001	44mm (1.7") wide	Weight 250g/8.8oz
4 ply		
0782/002	50mm (2") wide	Weight 285g/10.1oz
4 ply		
0862/001	End plate	Weight 20g/0.7oz
44mm (1.7") wide		