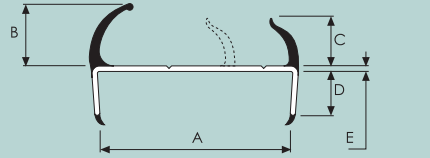
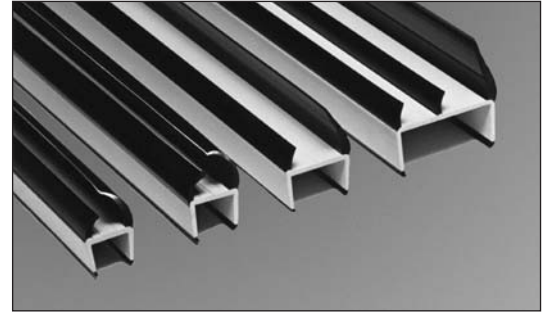
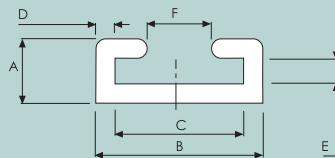
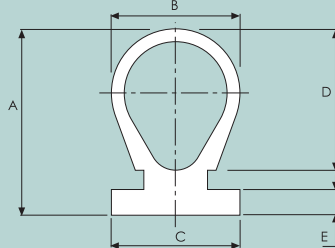


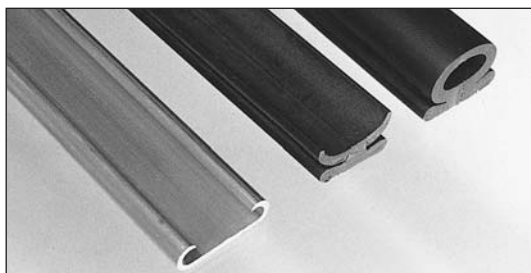
		CONTAINER DOOR SEAL							
		P.V.C., rigid carrier with flexible lips.							
		A	B	C	D	E	F	G	H
0535/019		To fit 19mm panel, 4m lengths (2 lips).							
0535/0191		To fit 19mm panel, 5m lengths (2 lips).							
METRIC (mm)		19	25.4	10	18	3			
IMPERIAL (ins)		0.75	1.00	0.40	0.71	0.12			
0535/021		To fit 21mm panel, 5m lengths (2 lips).							
METRIC (mm)		21	27	13	20	3			
IMPERIAL (ins)		0.83	1.06	0.51	0.80	0.12			
0535/030		To fit 30mm panel, 5m lengths (2 lips)							
METRIC (mm)		30	27	13	24	3			
IMPERIAL (ins)		1.18	1.06	0.51	0.95	0.12			
0535/0531		To fit 53mm panel, 5m lengths (3 lips).							
METRIC (mm)		53	30	13	28	3			
IMPERIAL (ins)		2.09	1.18	0.51	1.10	0.12			
0535/083		To fit 83mm panel, 5m lengths (3 lips).							
METRIC (mm)		83	28	20	21	3			
IMPERIAL (ins)		3.28	1.10	0.80	0.83	0.12			



		SEALING BUFFER STRIP							
		Extruded white ABS channel, for use with 2463/002 buffer strip. 2m length.							
		A	B	C	D	E	F	G	H
2463/001		Weight 280g/9.9oz							
METRIC (mm)		10	26	20	3	4	10		
IMPERIAL (ins)		0.39	1.02	0.79	0.12	0.16	0.40		



		SEALING BUFFER STRIP							
		Extruded black PVC buffer strip, for use with 2463/001 channel. 2m length.							
		A	B	C	D	E	F	G	H
2463/002		Weight 690g/1.5lb							
METRIC (mm)		29	20	20	22	4			
IMPERIAL (ins)		1.14	0.79	0.79	0.87	0.16			



					DOOR BUFFER STRIP								
					Extruded brass. Carrier for 2464/002 & 2480/002.								
					A	B	C	D	E	F	G	H	
2464/001					1981mm (6'6") lengths								
METRIC (mm)					30	18	9	1.8					
IMPERIAL (ins)					1.18	0.71	0.35	0.71					

					DOOR BUFFER STRIP								
					Male. Extruded, black T.P.R.								
					A	B	C	D	E	F	G	H	
2464/002					1981mm (6'6") lengths								
METRIC (mm)					20	24.5	23	3.5	4.5	9			
IMPERIAL (ins)					0.79	0.97	0.91	0.14	0.18	0.35			

					DOOR BUFFER STRIP								
					Female. Extruded, black T.P.R. (65° shore 'A')								
					A	B	C	D	E	F	G	H	
2480/002					1981mm (6'6") lengths								
METRIC (mm)					26	25	13	3.5	4.5	9	7		
IMPERIAL (ins)					1.02	0.98	0.51	0.14	0.18	0.35	0.28		