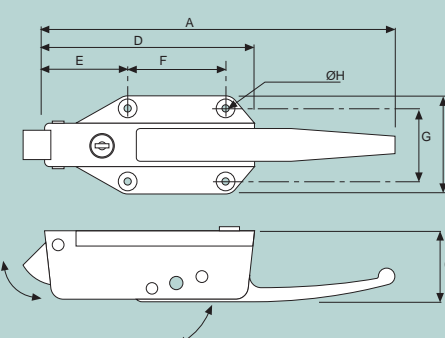
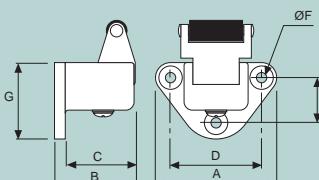
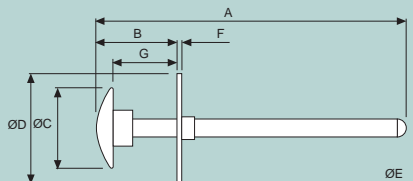


|   |                 | REFRIGERATOR DOOR LOCK   |      |      |                    |      |      |      |      |
|---|-----------------|--|------|------|--------------------|------|------|------|------|
|  |                 | <p>Radial tongue action which rolls smoothly &amp; securely into place. High pressure, zinc die-cast components with a malleable iron handle. Excellent frost resistance. Lockable via integral key cylinder with two keys supplied (keyed alike) or via padlock (not supplied). Non shuttered key barrel, intended for internal use only.</p> |      |      |                    |      |      |      |      |
|   |                 | A  | B    | C    | D                  | E    | F    | G    | H    |
| 2053/190  | Polished Chrome |  |      |      | Weight 1.2kg/2.7lb |      |      |      |      |
| 2053/193  | 'Tuffkote'      |  |      |      | Weight 1.2kg/2.7lb |      |      |      |      |
| METRIC (mm)   |                 | 262  | 71.4 | 56   | 158                | 57.2 | 77.8 | 52.4 | 6.8  |
| IMPERIAL (ins)  |                 | 10.3   | 2.81 | 2.21 | 6.22               | 2.25 | 3.06 | 2.06 | 0.27 |



|  |                 | ADJUSTABLE ROLLER STRIKER   |      |      |                    |      |      |      |   |
|--|-----------------|---|------|------|--------------------|------|------|------|---|
|  |                 | <p>High-pressure, zinc die-cast components with roller striker for smooth locking action. Adjustable offset between 3.2mm &amp; 6.4mm</p> |      |      |                    |      |      |      |   |
|  |                 | A   | B    | C    | D                  | E    | F    | G    | H |
| 2053/191   | Polished Chrome |   |      |      | Weight 320g/11.3oz |      |      |      |   |
| 2053/194   | 'Tuffkote'      |   |      |      | Weight 320g/11.3oz |      |      |      |   |
| METRIC (mm)  |                 | 75  | 52   | 44   | 55.6               | 28.6 | 6.8  | 48   |   |
| IMPERIAL (ins)   |                 | 2.95  | 2.05 | 1.73 | 2.19               | 1.13 | 0.27 | 1.89 |   |

|   |                      | PANIC RELEASE BUTTON   |      |      |                    |      |      |      |   |
|---|----------------------|--|------|------|--------------------|------|------|------|---|
|  |                      | <p>Facilitates opening from inside regardless of locking mechanism, ie. keys or padlock. Luminous button with a 'Kasonized' steel rod &amp; flange. Mounting via 3 x Ø5mm holes.</p> |      |      |                    |      |      |      |   |
|   |                      | A  | B    | C    | D                  | E    | F    | G    | H |
| 2053/192  | Panic release button |  |      |      | Weight 320g/11.3oz |      |      |      |   |
| METRIC (mm)   |                      | 220  | 56   | 56   | 76                 | 12.5 | 3.0  | 40   |   |
| IMPERIAL (ins)  |                      | 8.66   | 2.20 | 2.20 | 2.99               | 0.49 | 0.12 | 1.58 |   |

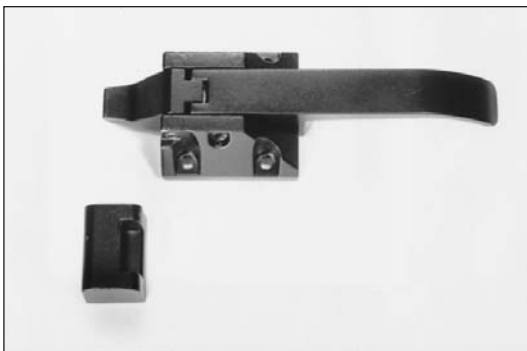


**MEDIUM DUTY**

| <b>REFRIGERATOR DOOR LOCK</b>  |                          |      |      |      |                         |      |      |      |  |
|--|--------------------------|------|------|------|-------------------------|------|------|------|--|
| <p>Slam action. Supplied complete with a striker suitable for flush fitting door, and panic release button. The latch mechanism consists of a high pressure, zinc die-casting with a highly polished chrome finish. Lockable (keyed alike) via integral key cylinder with two keys supplied or via padlock (not supplied). Non shuttered key barrel, intended for internal use only.</p> |                          |      |      |      |                         |      |      |      |  |
|  | A                        | B    | C    | D    | E                       | F    | G    | H    |  |
| <b>2053/135</b>  | <b>Complete assembly</b> |      |      |      | <b>Weight 1.8kg/4lb</b> |      |      |      |  |
| METRIC (mm)  | 270                      | 69   | 50   | 157  | 56                      | 78   | 52   | 6.2  |  |
| IMPERIAL (ins)   | 10.63                    | 2.72 | 1.97 | 6.18 | 2.21                    | 3.07 | 2.05 | 0.24 |  |

| <b>ADJUSTABLE ROLLER STRIKER</b>  |      |      |      |      |      |      |      |   |  |
|---|------|------|------|------|------|------|------|---|--|
| <p>Striker suitable for flush fitting door. High-pressure, zinc die-casting with a highly polished chrome finish.</p> |      |      |      |      |      |      |      |   |  |
|   | A    | B    | C    | D    | E    | F    | G    | H |  |
| <b>Striker</b>  |      |      |      |      |      |      |      |   |  |
| METRIC (mm)   | 72   | 50   | 40   | 56   | 28   | 6.2  | 50   |   |  |
| IMPERIAL (ins)  | 2.84 | 1.97 | 1.58 | 2.21 | 1.10 | 0.24 | 1.97 |   |  |

| <b>PANIC RELEASE BUTTON</b>   |       |      |      |      |      |      |   |   |  |
|---|-------|------|------|------|------|------|---|---|--|
| <p>Facilitates opening from inside regardless of locking mechanism, ie, keys or padlock. Luminous button with a stainless steel fixing flange. Stainless steel spring housed within a rubber bellows.</p> |       |      |      |      |      |      |   |   |  |
|   | A     | B    | C    | D    | E    | F    | G | H |  |
| <b>Panic release button</b>   |       |      |      |      |      |      |   |   |  |
| METRIC (mm)   | 264   | 94   | 56   | 78   | 12.5 | 1.0  |   |   |  |
| IMPERIAL (ins)  | 10.39 | 3.70 | 2.21 | 3.07 | 0.49 | 0.04 |   |   |  |



| <b>PLANT-ON OVERCENTRE LATCH</b>  |               |      |      |      |                          |      |      |      |  |
|---|---------------|------|------|------|--------------------------|------|------|------|--|
| <p>Die-cast with a black, powder coated finish. Action pulls-in on closing and ejects on opening.</p> |               |      |      |      |                          |      |      |      |  |
|   | A             | B    | C    | D    | E                        | F    | G    | H    |  |
| <b>9341/004</b>   | <b>Latch</b>  |      |      |      | <b>Weight 480g/1.1lb</b> |      |      |      |  |
| METRIC (mm)   | 126           | 32   | 52   | 52   | 22                       | 33   | 22   | 22   |  |
| IMPERIAL (ins)  | 4.96          | 1.26 | 2.05 | 2.05 | 0.87                     | 1.30 | 0.87 | 0.87 |  |
| <b>9341/005</b>   | <b>Keeper</b> |      |      |      | <b>Weight 20g/0.7oz</b>  |      |      |      |  |

**DOOR & WINDOW FITTINGS**