

Marker Lamps

		A	B	C	D	E	F	G	H
6514/001		Amber side marker		Weight 70g/2.5oz					
6514/002		Red rear marker		Weight 70g/2.5oz					
6514/003		White front marker		Weight 70g/2.5oz					
METRIC (mm)		120	63	12	8	12	80	20	6
IMPERIAL (ins)		4.72	2.48	0.47	0.32	0.47	3.15	0.79	0.24

L.E.D MARKER LAMPS

LED technology with integral reflex reflector. 'E' approved & tested to IP.67. Suitable for 12 & 24 volt systems.



		A	B	C	D	E	F	G	H
6514/101		Weight 50g/1.8oz							
METRIC (mm)		75	96	20	3	130			
IMPERIAL (ins)		2.95	3.78	0.79	0.12	5.12			

MOUNTING BRACKET

Moulded, black polypropylene. Suitable for horizontal mounting of 6514/001, 002 & 003. Screw pack included.



		A	B	C	D	E	F	G	H
6514/102		Weight 60g/2.1oz							
METRIC (mm)		170	64	21	5				
IMPERIAL (ins)		6.69	2.52	0.83	0.20				

MOUNTING BRACKET

Moulded, black polypropylene. Suitable for vertical mounting of 6514/001, 002 & 003. Screw pack included.





L.E.D
technology

Left: 6512/0001

Right: 6512/0003

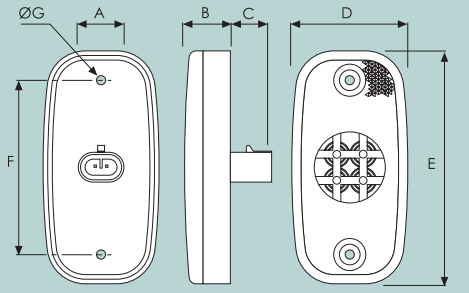
		A	B	C	D	E	F	G	H
6512/0001		12v, 40mA				Weight 70g/2.5oz			
6512/0002		24v, 40mA				Weight 70g/2.5oz			
METRIC (mm)		104	54.0	101	51.0	23.0	8.0	76.0	4.50
IMPERIAL (ins)		4.10	2.13	4.00	2.00	0.91	0.32	2.99	0.18

		A	B	C	D	E	F	G	H
6512/0003		12v, 40mA				Weight 50g/1.8oz			
6512/0004		24v, 40mA				Weight 50g/1.8oz			
METRIC (mm)		120	63.0	98.0	49.0	21.0	10.0	108	4.5
IMPERIAL (ins)		4.72	2.48	3.86	1.93	0.83	0.39	4.25	0.18



		A	B	C	D	E	F	G	H
6512/0011		Weight 20g/0.7oz							
METRIC (mm)		95.0	48.0	25.0	3.00	104			
IMPERIAL (ins)		3.74	1.89	0.98	0.12	4.10			

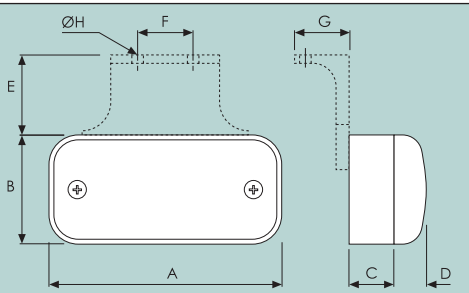
		A	B	C	D	E	F	G	H
6512/0012		Weight 20g/0.7oz							
METRIC (mm)		144	48.0	25.0	3.00				
IMPERIAL (ins)		5.67	1.89	0.98	0.12				



MARKER LAMP

24 volt, LED, amber side marker lamp. Sealed to IP67 complete with connectors. Integral reflex reflector. Low power consumption - 60mA@28v.

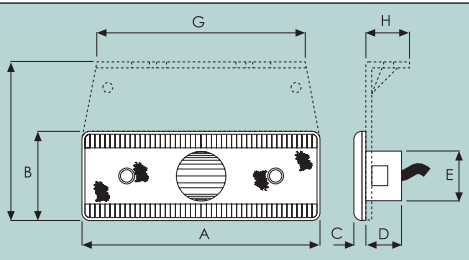
	A	B	C	D	E	F	G	H
6510/101					Weight 50g/1.8oz			
METRIC (mm)	20	20	19	50	100	76	4	
IMPERIAL (ins)	0.79	0.79	0.75	1.97	3.94	2.99	0.16	

MARKER LAMPS

'E' approved. Complete with grommet for cable exit hole. Twin contact, bayonet bulb required - not supplied. Suitable for 12 or 24 volt.

	A	B	C	D	E	F	G	H
6511/001	Clear lens				Weight 90g/3.2oz			
6511/003	Amber lens				Weight 90g/3.2oz			
6511/004	Amber lens, + bracket				Weight 110g/3.9oz			
6511/005	Red lens				Weight 90g/3.2oz			
METRIC (mm)	110	55	20	14	38	30	24	5
IMPERIAL (ins)	4.33	2.17	0.79	0.55	1.50	1.18	0.95	0.20

LOW PROFILE 'LED' MARKER LAMP

Amber, side marker lamp. Suitable for 12 & 24 volt systems. Polycarbonate lens with an integral reflex reflector. Black ABS bracket.

	A	B	C	D	E	F	G	H
6513/0001	Lamp only				Weight 50g/1.8oz			
6513/0011	Lamp & bracket				Weight 90g/3.2oz			
METRIC (mm)	120	45	8.0	19	25	80	114	25
IMPERIAL (ins)	4.72	1.77	0.32	0.75	0.98	3.12	4.49	0.98

