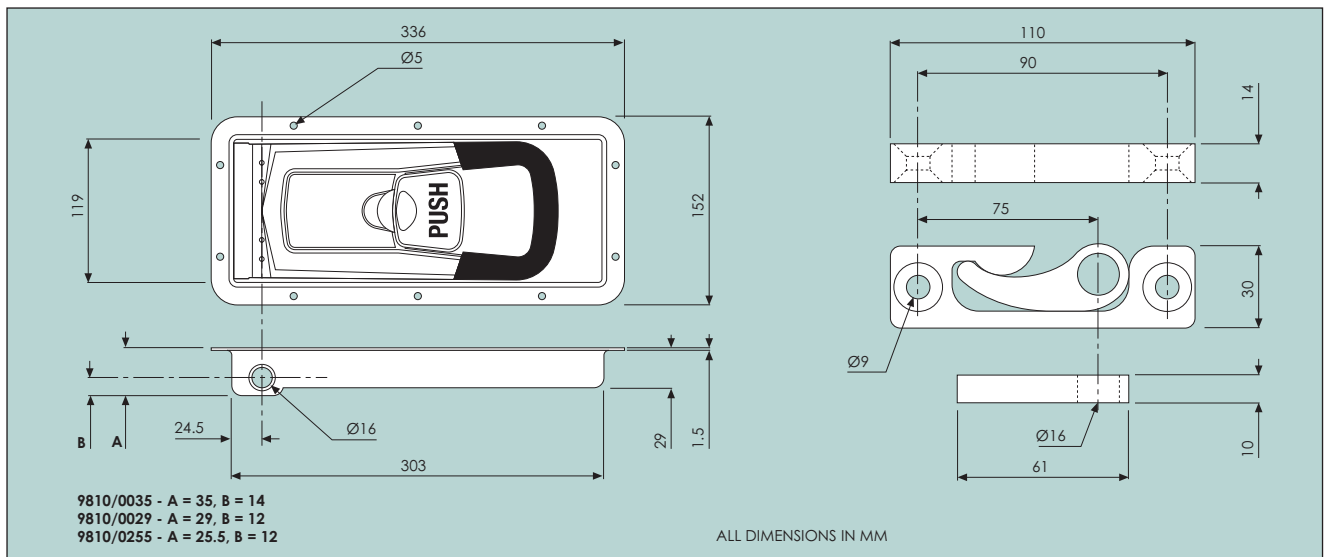
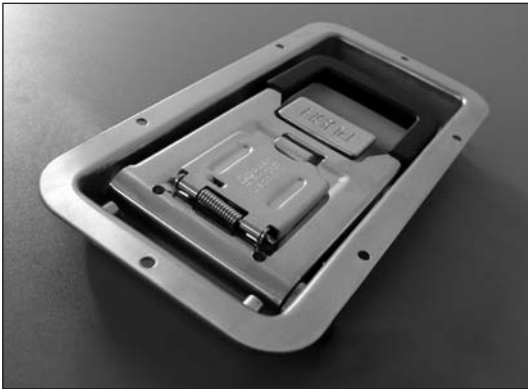


UNIVERSAL, RECESSED DOOR GEAR - 'HI-PUSH' HANDLE	
304 Stainless steel For Ø16mm tubing (see below)	
9810/0035	Recessed door gear kit
Kit comprises of:	1 x 'Hi-Push' recessed handle (35mm) 2 x universal keepers (horizontal fixing) 2 x universal cams (horizontal fixing)
9810/0029	Recessed door gear kit
Kit comprises of:	1 x 'Hi-Push' recessed handle (29mm) 2 x universal keepers (horizontal fixing) 2 x universal cams (horizontal fixing)
9810/0255	Recessed door gear kit
Kit comprises of:	1 x 'Hi-Push' recessed handle (25.5mm) 2 x universal keepers (horizontal fixing) 2 x universal cams (horizontal fixing)
9810/0245	304 Stainless steel tubing - Ø16mm
	2.5m long, 2mm wall thickness



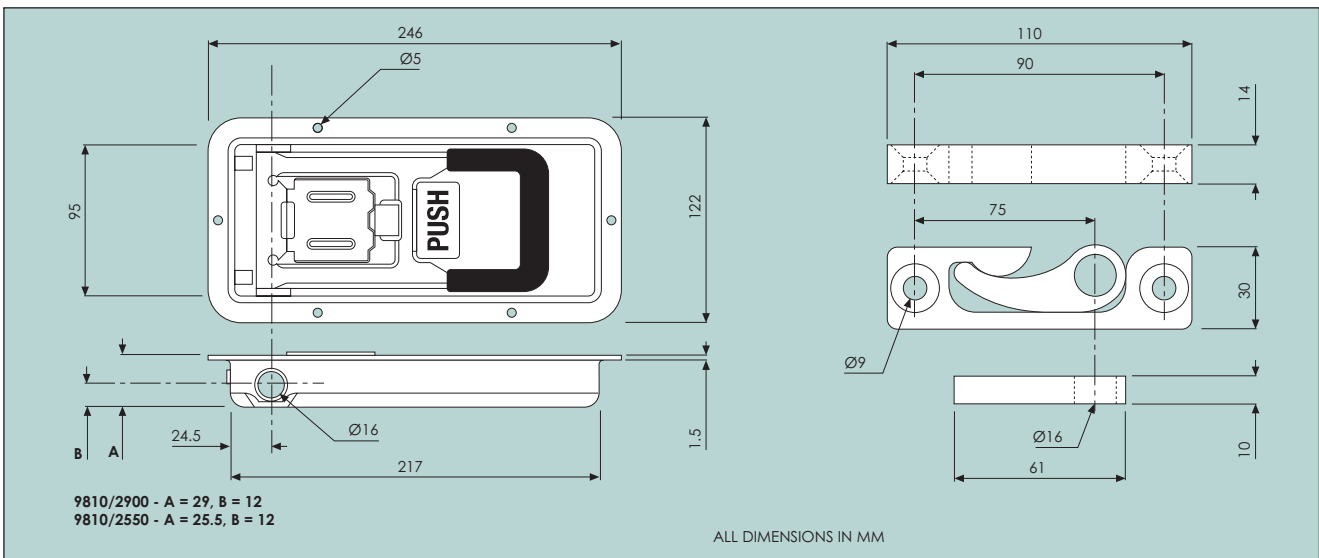
Insert shows universal cam & keeper suitable for horizontal fixing.



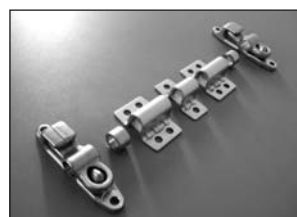
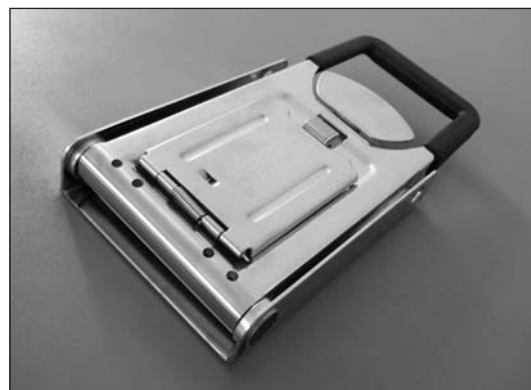


Insert shows universal cam & keeper suitable for horizontal fixing.

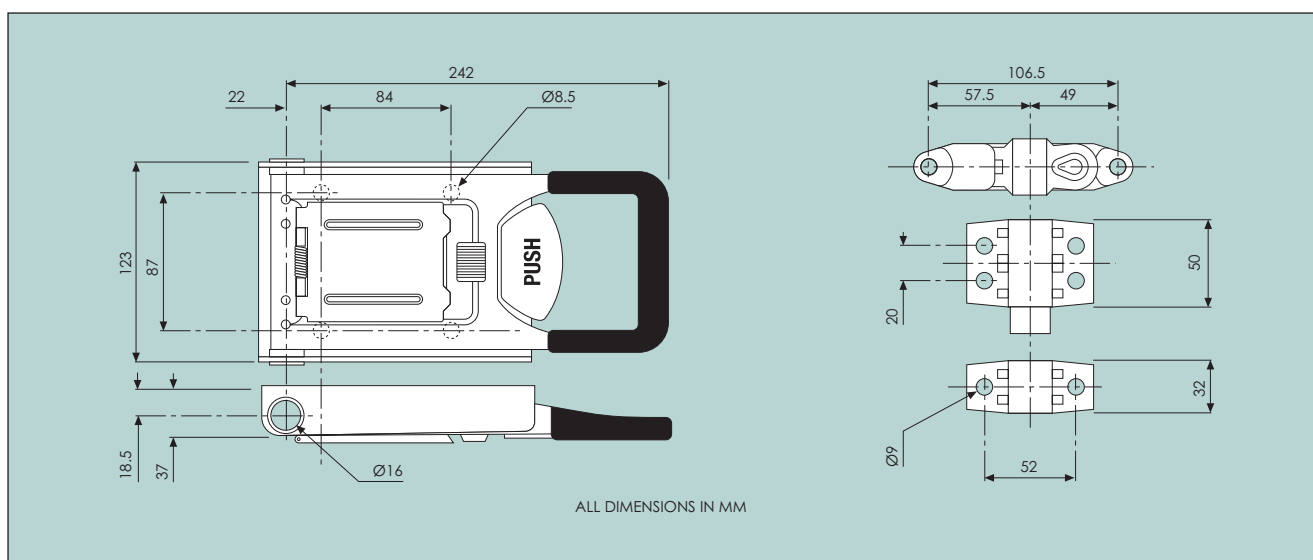
UNIVERSAL, RECESSED DOOR GEAR - 'MINI-PUSH' HANDLE	
304 Stainless steel	
For Ø16mm tubing (see below)	
9810/2900	Recessed door gear kit
Kit comprises of:	1 x 'Mini-Push' recessed handle (29mm) 2 x universal keepers (horizontal fixing) 2 x universal cams (horizontal fixing)
9810/2550	Recessed door gear kit
Kit comprises of:	1 x 'Mini-Push' recessed handle (25.5mm) 2 x universal keepers (horizontal fixing) 2 x universal cams (horizontal fixing)
9810/0245	304 Stainless steel tubing - Ø16mm
2.5m long, 2mm wall thickness	

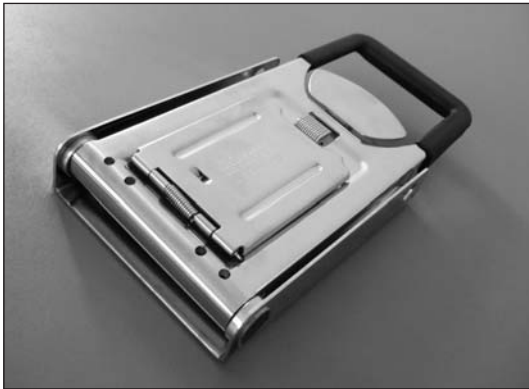


UNIVERSAL, PLANT-ON DOOR GEAR - 'PUSH' HANDLE	
304 Stainless steel	
For Ø16mm tubing (see below)	
9810/0242	Plant-on door gear kit
Kit comprises of:	1 x 'Push' plant-on handle 1 x Universal, bolt-on, door gear assembly
Assembly contents:	2 x Universal cams 2 x Universal keepers 2 x Large bearer brackets 1 x Small bearer brackets 5 x Nylon bracket plates 2 x Anti-track rings
9810/0245	304 Stainless steel tubing - Ø16mm
2.5m long, 2mm wall thickness	



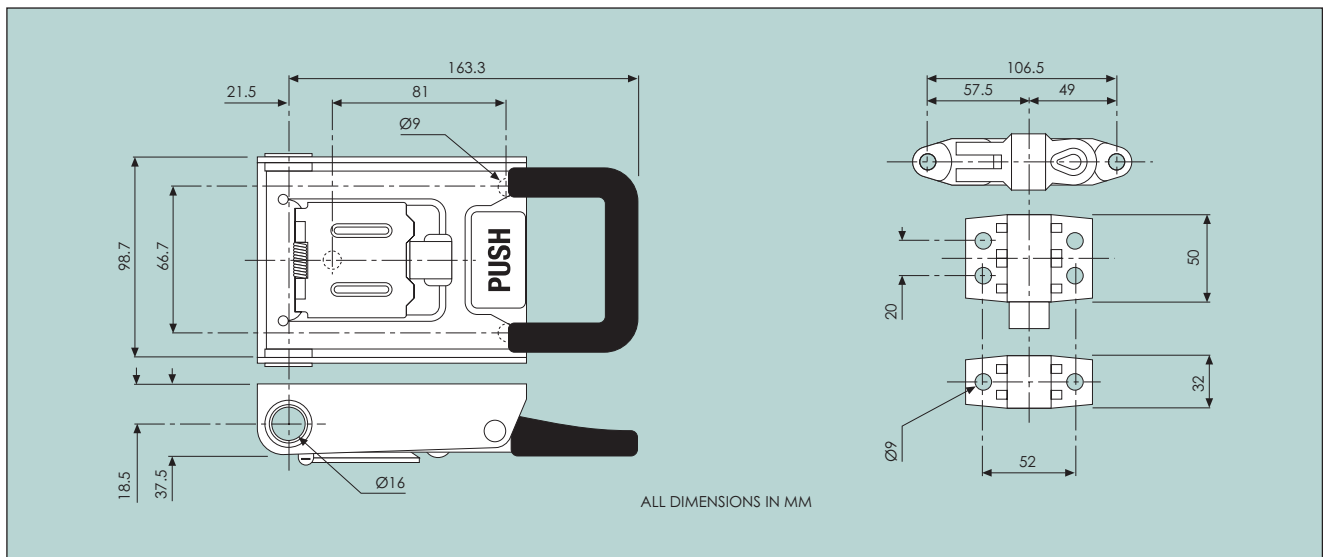
Insert shows universal door gear kit, suitable for Ø16mm tube.





Insert shows universal door gear kit, suitable for Ø16mm tube.

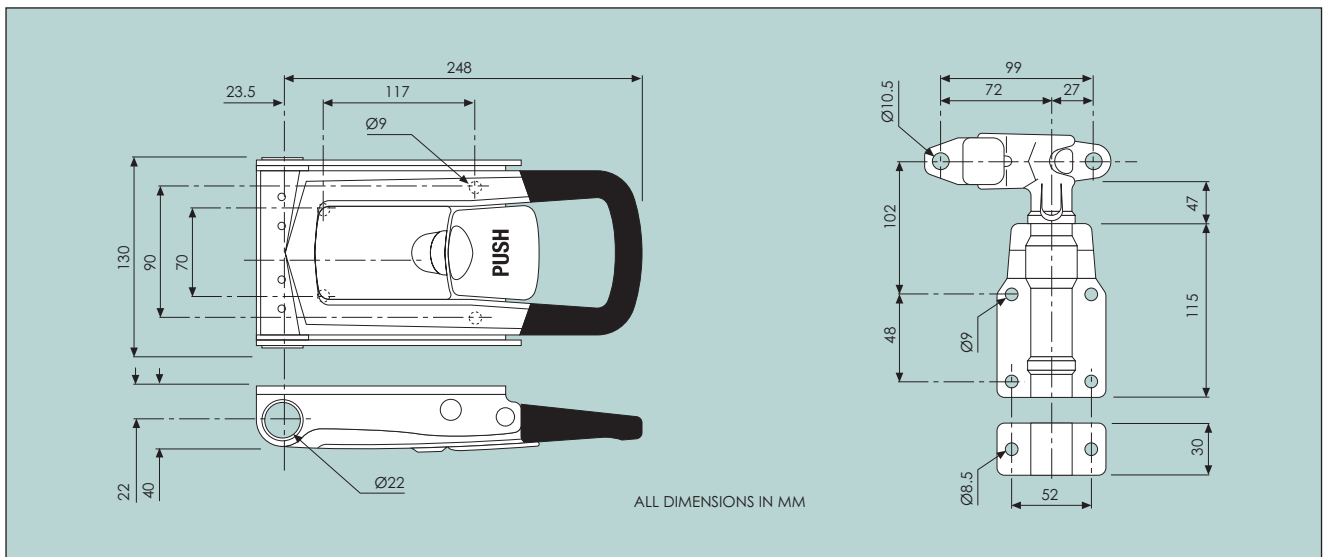
UNIVERSAL, PLANT-ON DOOR GEAR - 'PUSH' HANDLE	
304 Stainless steel	
For Ø16mm tubing (see below)	
9810/1633	Plant-on door gear kit
Kit comprises of:	1 x 'Mini - Push' plant-on handle 1 x Universal, bolt-on, door gear assembly
Assembly contents:	2 x Universal cams 2 x Universal keepers 2 x Large bearer brackets 1 x Small bearer brackets 5 x Nylon bracket plates 2 x Anti-track rings
9810/0245	304 Stainless steel tubing - Ø16mm
2.5m long, 2mm wall thickness	



UNIVERSAL, PLANT-ON DOOR GEAR - 'PUSH' HANDLE	
304 Stainless steel For Ø22mm tubing (see below)	
9810/0248	Plant-on door gear kit
Kit comprises of:	1 x 'Hi - Push' plant-on handle 1 x Universal, bolt-on, door gear assembly
Assembly contents:	2 x Universal cams 2 x Universal keepers 2 x Large cranked bearer brackets 2 x Large cranked back plates 1 x Small bearer brackets 1 x Small back plate
1999/018	304 Stainless steel tubing - Ø22mm 3m long, 1.5mm wall thickness



Insert shows universal door gear kit, suitable for Ø22mm tube.





Insert shows universal door gear kit, suitable for Ø27mm tube.

UNIVERSAL, PLANT-ON DOOR GEAR - 'PUSH' HANDLE	
304 Stainless steel	
For Ø27mm tubing (see below)	
9810/0278	Plant-on door gear kit
Kit comprises of:	1 x 'Hi - Push' plant-on handle 1 x Universal, bolt-on, door gear assembly
Assembly contents:	2 x Universal cams 2 x Universal keepers 2 x Large cranked bearer brackets 2 x Large cranked back plates 1 x Small bearer brackets 1 x Small back plate
1999/019	304 Stainless steel tubing - Ø27mm
2.6m long, 2.5mm wall thickness	

